



1010 BLUEBEAM



1010 BlueBeam and RedBeam are powerful spotlights, with a wider beam pattern than the BluePoint and RedPoint. In addition to their bright blue color, the BlueBeam serves a practical purpose by providing operators of crop sprayers with full visibility of the nozzle spray being spread across the fields, thanks to its powerful illumination.

Note: the lens of the BlueBeam is clear, the blue light is emitted from LEDs

TECHNICAL DATA

- Housing Material:** Cast Aluminium
- Mounting Options:** Hanging
Standing
- Lens Material:** PC
- Temperature range:** -40 to +75 °C
- Connector:** Deutsch (DT04-2P) built in.
Mating part: DT06-2S
- Weight:** 800 g / 1,76 lb
- Light Patterns:** Spot

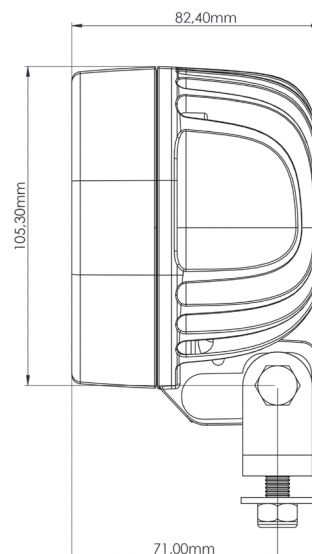
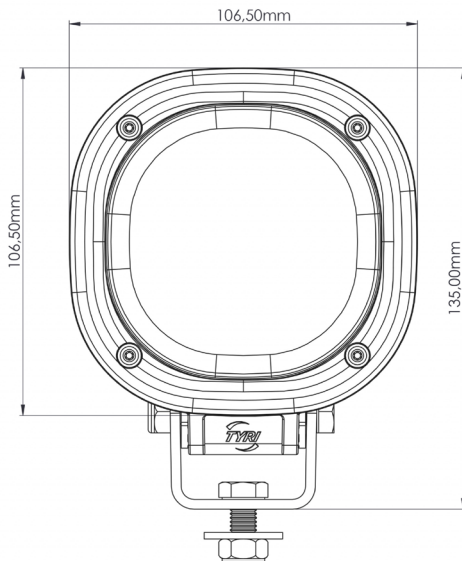
FEATURES

- Overheating Protection
- Over-voltage Protection
- Polarity Protection
- Dampened
- UL Optional

TEST STANDARDS

- Salt Spray ASTM B117 500 h
- Vibration 5-2000 Hz 3 Axis, 10 Grms
- Shock Tested 50 G 11 ms
- IP69K
- EN55025 / CISPR 25 Class 5, ISO 7637-2, ISO 16750-2, ISO 10605, ISO11452-2, ISO11452-4

For further information visit www.tyrilights.com or contact your local sales team.





1010 BLUEBEAM

LIGHT INTENSITY	VOLTAGE		AMP DRAW		POWER	DOMINANT WAVELENGTH	LENS PATTERN	PART NO.	EMC	ECE
	Machine	Operating	12 V	24 V					Watts	nm
10,000 cd	12-48 V	9-60 V	1,2 A	0,6 A	15 W	475 nm	Spot	CLD-405-1 CLD-648-1*	5	-

* Stainless hardware

IEC/SS-EN 62471 | RISK GROUP 2

**CAUTION: Possibly hazardous optical radiation emitted from this product.
Do not stare at operating lamp. May be harmful to the eye.**

It is important to remember, LED work lights are no more hazardous than other lighting technologies with the same correlated colour temperature (CCT).

TYRI complies with the IEC/SS-EN 62471 standard with the addition of the warning label on the product.

LED work lights are exposed to dirt, fertilizers, road salt, acids and more. For best performance and long lifetime, the lens and the cooling fins must be cleaned on a regular basis.